



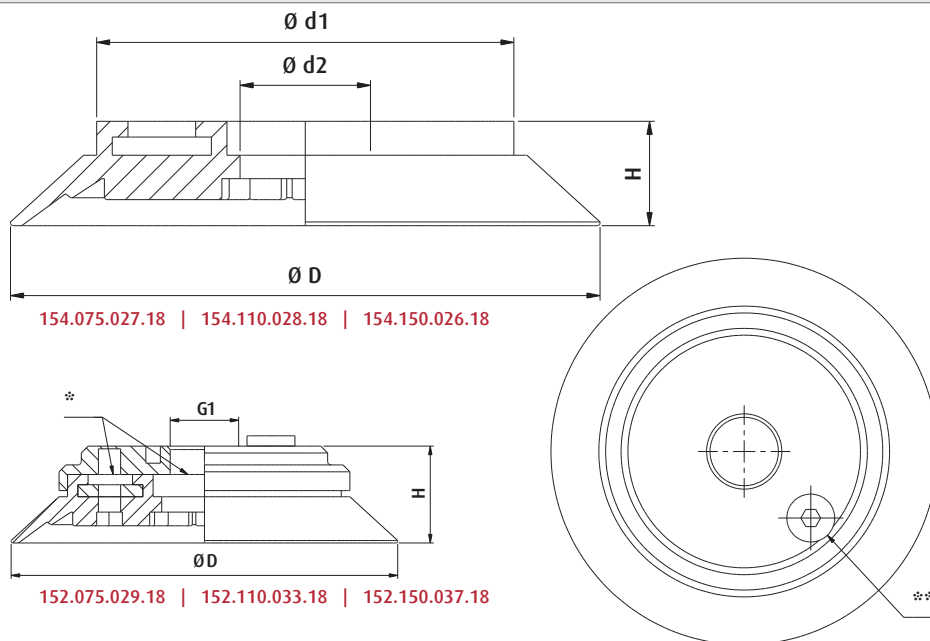
Flat vacuum cups \varnothing 75 - 150 mm

Technische Daten / Technical Specifications

Artikel-Nummer Item number	Material Material	Härte [° Shore A] Hardness [° Shore A]	Einsatzbereich [° C] Application area [° C]	Gewicht [g] Weight [g]	Hub [mm] Lift [mm]
Gummiteil zur Verwendung zusammen mit Steckhalter oder als Ersatz / Rubber part, to be used with click-in fitting or as replacement					
154.075.027.18	TPU transparent	60 ± 5	0 - 80	18	3
154.110.028.18	TPU transparent	60 ± 5	0 - 80	58	5
154.150.026.18	TPU transparent	60 ± 5	0 - 80	160	6
Einheit: Gummiteil + Halter+ Filtersieb (fix montiert) / Assembly: Rubber part + fitting + filter sieve (firm assembled)					
152.075.029.18	TPU transparent	60 ± 5	0 - 80	92	3
152.110.033.18	TPU transparent	60 ± 5	0 - 80	217	5
152.150.037.18	TPU transparent	60 ± 5	0 - 80	460	6

- > Very long life due to extremely high wear-resistant material
- > Nearly non-marking
- > Highly resistant to oil, hydrolysis and ozone
- > Handling of sheet, glas, stone and white goods

Abmessungen / Dimensions



Artikel-Nummer Item number	\varnothing D [mm]	\varnothing d1 [mm]	\varnothing d2 [mm]	H [mm]
Gummiteil zur Verwendung zusammen mit Steckhalter oder als Ersatz / Rubber part, to be used with click-in fitting or as replacement				
154.075.027.18	78	55	10	13
154.110.028.18	113	79	25	20
154.150.026.18	155	109	25	24
Artikel-Nummer Item number	\varnothing D [mm]	G1	G2	H [mm]
Einheit: Gummiteil + Halter+ Filtersieb (fix montiert) / Assembly: Rubber part + fitting + filter sieve (firm assembled)				
152.075.029.18	78	G1/8 IG	M5 IG	22
152.110.033.18	113	G1/2 IG	G1/8 IG	28
152.150.037.18	155	G1/2 IG	G1/8 IG	34



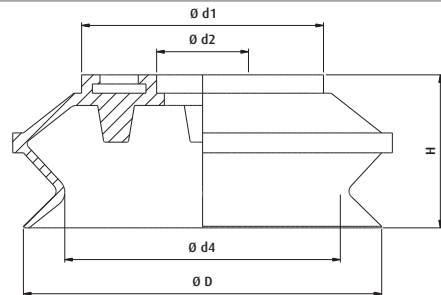
Bellows vacuum cups \varnothing 75 -150 mm

Technische Daten / Technical Specifications

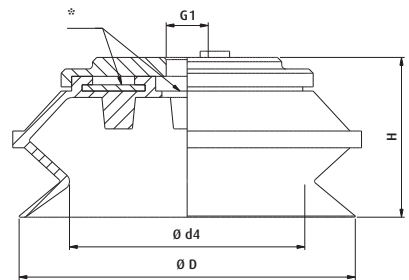
Artikel-Nummer Item number	Material Material	Härte [° Shore A] Hardness [° Shore A]	Einsatzbereich [° C] Application area [° C]	Gewicht [g] Weight [g]	Hub [mm] Lift [mm]	Passende Filterscheibe Suitable filter disc
Gummitteil zur Verwendung als Ersatz / Rubber part to be used as replacement						
23.075.065.18	TPU transparent	60 ± 5	0 - 80	36	22	78.204
23.110.069.18	TPU transparent	60 ± 5	0 - 80	90	29	78.205
23.150.072.18	TPU transparent	60 ± 5	0 - 80	220	41	78.206
Einheit: Gummitteil + Halter + Filtersieb (fix montiert). Zusätzlicher Anschluss G2 zum Anschluss von Vakuumbefragung / Assembly: Rubber part + fitting + filter sieve (firm assembled). Additional port (G2) to be used for vacuum monitoring						
22.075.070.18	TPU transparent	60 ± 5	0 - 80	110	22	78.204
22.110.079.18	TPU transparent	60 ± 5	0 - 80	254	29	78.205
22.150.083.18	TPU transparent	60 ± 5	0 - 80	570	41	78.206

- > Very long life due to extremely high wear-resistant material
- > Nearly non-marking
- > Highly resistant to oil, hydrolysis and ozone
- > Handling of sheet, glass, stone and white goods

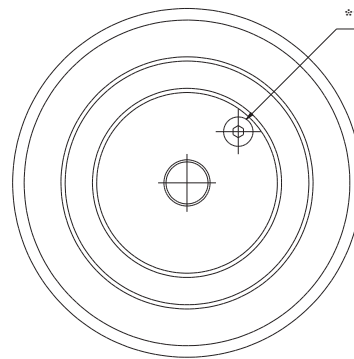
Abmessungen / Dimensions



23.075.065.18 | 23.110.069.18 | 23.150.072.18



22.075.070.18 | 22.110.079.18 | 22.150.083.18



Artikel-Nummer Item number	\varnothing D [mm]	\varnothing d1 [mm]	\varnothing d2 [mm]	\varnothing d4 [mm]	H [mm]
Gummitteil zur Verwendung als Ersatz / Rubber part to be used as replacement					
23.075.065.18	80	55	10	57	38
23.110.069.18	115	79	25	90	50
23.150.072.18	160	109	25	112	67
Artikel-Nummer Item number	\varnothing D [mm]	G1	\varnothing d4 [mm]	G2	H [mm]
Einheit: Gummitteil + Halter + Filtersieb (fix montiert). Zusätzlicher Anschluss G2 zum Anschluss von Vakuumbefragung / Assembly: Rubber part + fitting + filter sieve (firm assembled). Additional port (G2) to be used for vacuum monitoring					
22.075.070.18	80	G1/8 IG	57	M5 IG	47
22.110.079.18	115	G1/2 IG	90	G1/8 IG	59
22.150.083.18	160	G1/2 IG	112	G1/8 IG	75