



Blades for plastic, laterally facing



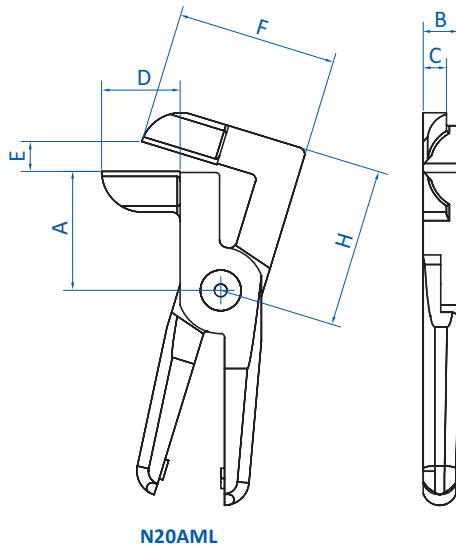
Product notes

- > Blades with 90° bend cutting edge for sprues in restricted spaces, e.g. sprues of two opposing parts
- > AML: blade with left orientation
- > AMR: blade with right orientation

Technical data

Item no.	Material	Max. cutting thickness [mm]		Weight [g]	Air nippers
		PP/PE	ABS		
N20AML	Ferrous alloy	10x1.5	8x1	270	GT-N20, GT-NR20, GT-NS20

Dimensions



Item no.	A [mm]	B [mm]	C [mm]	D [mm]	E [mm]	F [mm]	H [mm]
N20AML	41	12	8	27	9.5	55	55