



Nipper technology | Air nippers – manual and automatic operation

Blades for plastic, straight

Blades for plastic, straight



Product notes

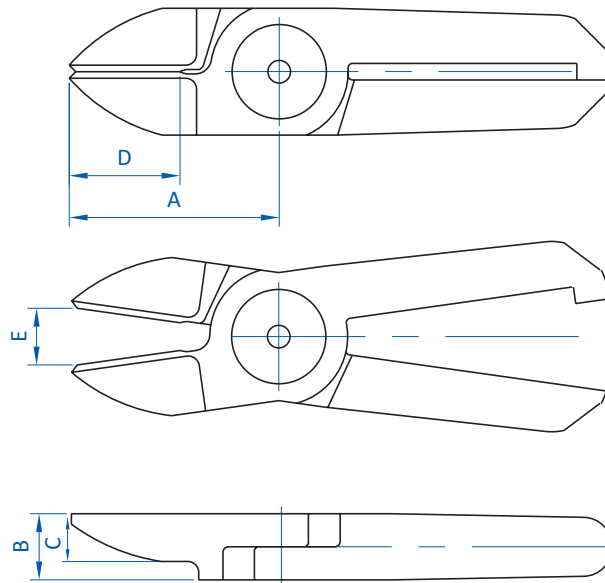
- > Blades with straight cutting edge for clean cuts
- > AJ, LAB2 and AB39: standard blade
- > AJL: blade extra long

Technical data

Item no.	Material	Max. cutting thickness [mm]		Weight [g]	Air nippers
		PP/PE	ABS		
N20AJ	Ferrous alloy	7	5	125	GT-N20 GT-NS20 GT-NR20
N20AJL	Ferrous alloy	7	5	230	GT-N20 GT-NR20 GT-NS20



Dimensions



Item no.	A [mm]	B [mm]	C [mm]	D [mm]	E [mm]
N20AJ	35	12	8	18	11
N20AJL	65	12	7	20	16