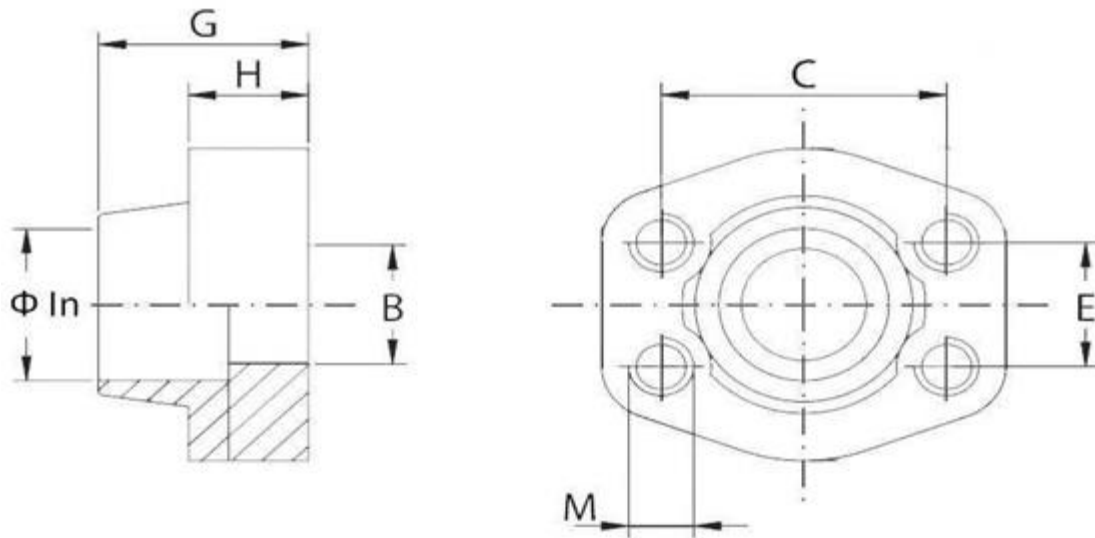


BRIDA SAE HIDRAFLUID CONTRABRIDA SOLDABLE HEMBRA TUBO GAS



ITEM	SERIE	Ø in	SIZE	OR 1	ØB	C	E	G	H	M
BWG31001	3000	21.6	1/2"	18.64X3.5	13	38,1	17,48	36	16	M8
BWG31002	3000	17.5	1/2"	18.64X3.5	13	38,1	17,48	36	16	M8
BWG31003	3000	27.2	3/4"	24.99X3.5	19	47,63	22,23	36	18	M10
BWG31004	3000	34	1"	32.92X3.5	25	52,37	26,19	38	18	M10
BWG31005	3000	42.8	1"1/4	37.70X3.5	32	58,72	30,18	41	21	M10
BWG31006	3000	48.6	1"1/2	47.22X3.5	38	69,85	35,71	45	25	M12
BWG31007	3000	61	2"	56.74X3.5	51	77,77	42,88	45	25	M12
BWG31008	3000	76.6	2"1/2	-	63	88,9	50,8	50	25	M12
BWG31009	3000	90.5	3"	-	73	106,38	61,93	50	27	M16
BWG31010	3000	103	3"1/2	-	89	120,65	69,85	48	27	M16
BWG31011	3000	115.5	4"	-	99	130,18	77,77	48	27	M16
BWG61001	6000	21.6	1/2"	18.64X3.5	13	40,49	18,24	36	16	M8
BWG61002	6000	27.2	3/4"	24.99X3.5	19	50,8	23,8	35	21	M10
BWG61003	6000	34	1"	32.92X3.5	25	57,15	27,76	42	25	M12
BWG61004	6000	42.8	1"1/4	37.70X3.5	32	66,68	31,75	45	27	M14
BWG61005	6000	48.6	1"1/2	47.22X3.5	38	79,38	36,5	50	30	M16
BWG61006	6000	61	2"	56.74X3.5	51	96,82	44,45	65	37	M20