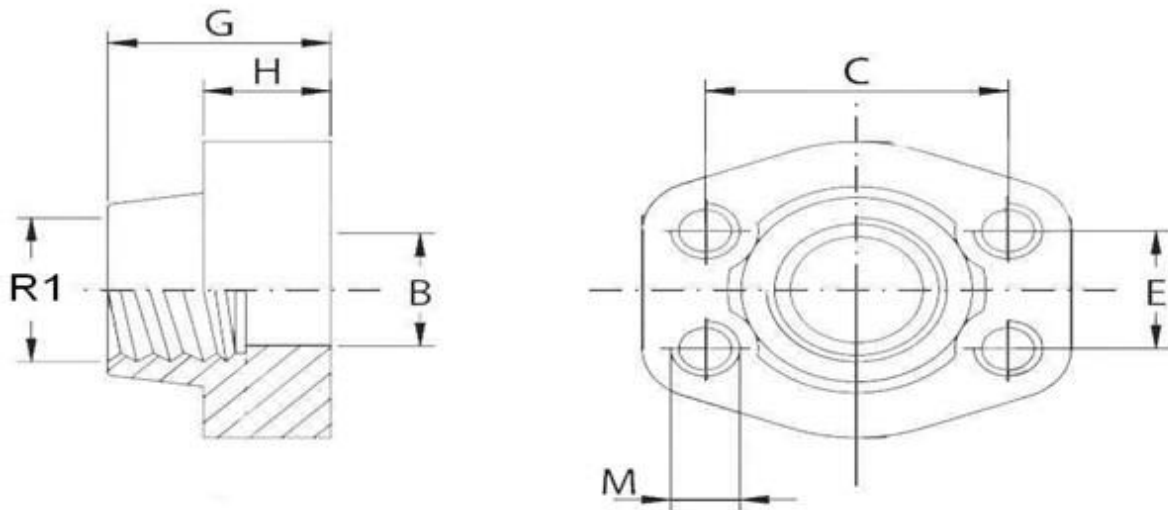


BRIDA SAE HIDRAFLUID CONTRABRIDA ROSCADA HEMBRA GAS



ITEM	SERIE	R1	SIZE	ØB	C	E	G	H	M
BRH3100	3000	1/2"	1/2"	13	38,10	17,48	36	16	M8
BRH3100	3000	3/8"	1/2"	13	38,10	17,48	36	16	M8
BRH3100	3000	3/4"	3/4"	19	47,63	22,23	36	18	M10
BRH3100	3000	1/2"	3/4"	13	47,63	22,23	36	18	M10
BRH3100	3000	1"	1"	25	52,37	26,19	38	18	M10
BRH3100	3000	3/4"	1"	19	52,37	26,19	35	21	M10
BRH3100	3000	1"1/4	1"1/4	32	58,72	30,18	40	21	M10
BRH3100	3000	1"	1"1/4	25	58,72	30,18	42	25	M10
BRH3100	3000	1"1/2	1"1/2	38	69,85	35,71	45	25	M12
BRH3101	3000	1"1/4	1"1/2	32	69,85	35,71	45	27	M12
BRH3101	3000	2"	2"	51	77,77	42,88	45	25	M12
BRH3101	3000	1"1/2	2"	38	77,77	42,88	45	25	M12
BRH3101	3000	2"1/2	2"1/2	63	88,90	50,80	50	25	M12
BRH3101	3000	2"	2"1/2	51	88,90	50,80	50	25	M12
BRH3101	3000	3"	3"	73	106,38	61,93	50	27	M16
BRH3101	3000	2"1/2	3"	63	106,38	61,93	50	27	M16
BRH3101	3000	3"1/2	3"1/2	89	120,65	69,85	48	27	M16
BRH3101	3000	3"	3"1/2	73	120,65	69,85	48	27	M16
BRH3101	3000	4"	4"	99	130,18	77,77	48	27	M16
BRH3102	3000	3"1/2	4"	89	130,18	77,77	48	27	M16