



### Signal transmitters M8 – without logics

#### COLLECTION AND TRANSMISSION OF SENSOR SIGNALS



#### Product notes

- > Transmits up to twelve sensor signals to the robot controller
- > Suitable for PNP/NPN sensors or 2-pole actuators
- > LED switching status display
- > Signals can be coupled via the external robot controller
- > Common output:
  - 20.540: 8-pole M12 plug, 1.9 m, open end, wire color to DIN 47100/11.79
  - 20.541 and 20.542: 15-pole D-sub-plug, cable length 2 m, open end, wire color to DIN 47100/11.79

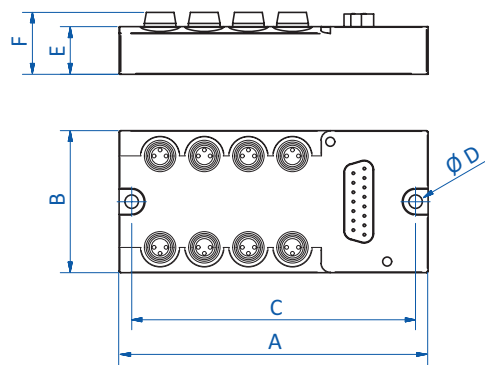
#### Technical data

Item no.	Number of slots M8	Power supply [V]	Weight [g]
20.542	12	24	250

#### Pin assignment: M8 jack according to IEC 947-5-2

- > Slot 0-7, or 0-11:  
Signal line: socket 4
- DC 24 V: socket 1
- 0 V: socket 3

#### Dimensions



20.542

Item no.	A [mm]	B [mm]	C [mm]	Ø D [mm]	E [mm]	F [mm]
20.542	125.6	45	117.6	4.3	15.1	19.6